

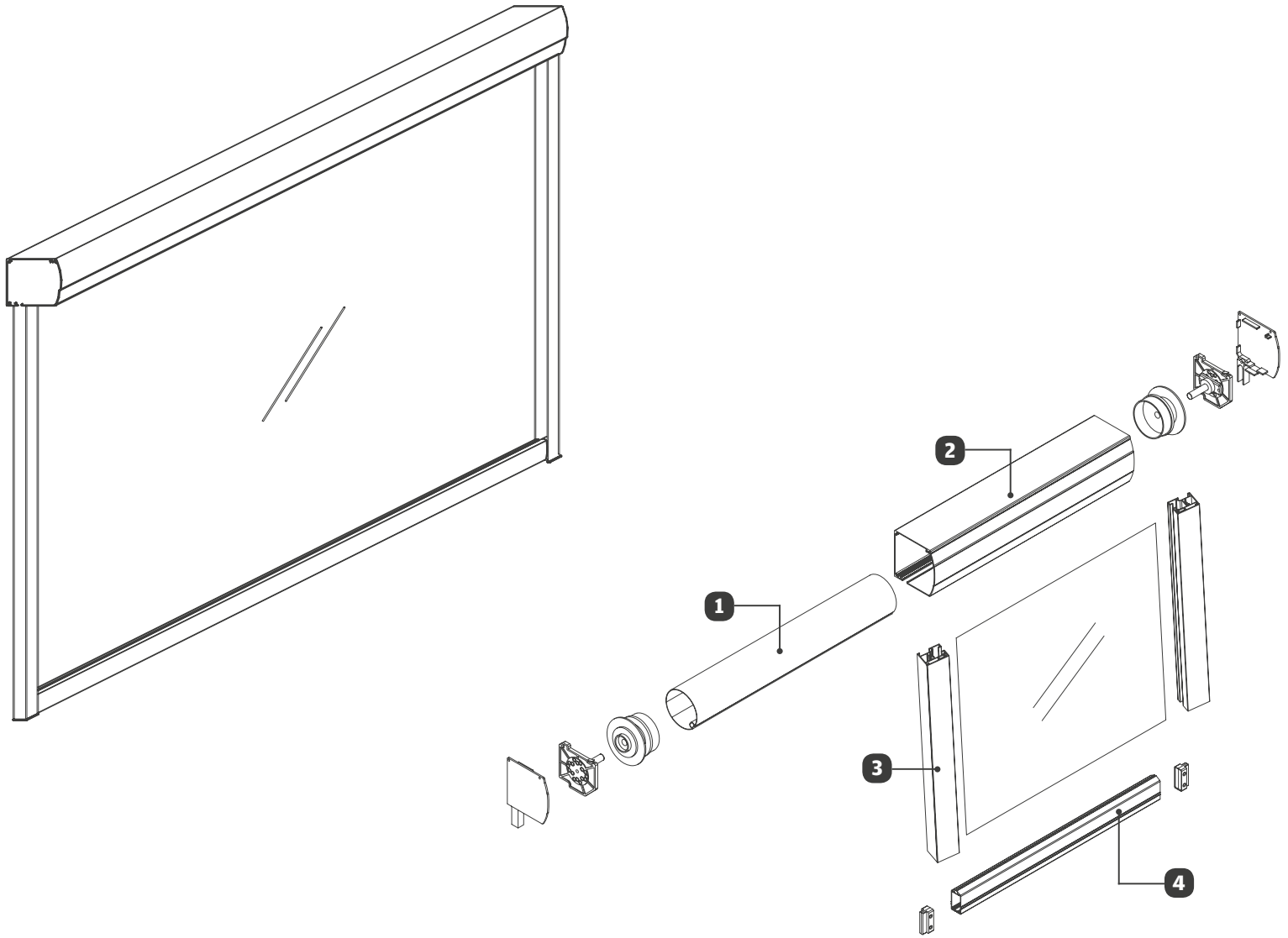
SUN STORE MOTORISED BLINDS

Technical Information List

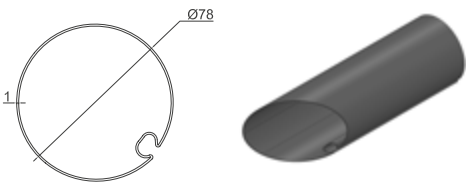
V 030818



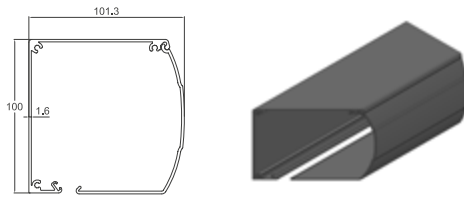
Retractable & Ready to Mount, with Chosen Fabric
This product comes standard as: Motorized with remote control & It can't be manual operated.



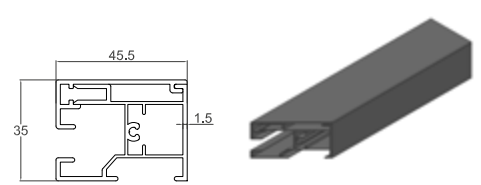
1 Roller Tube $\varnothing 78$



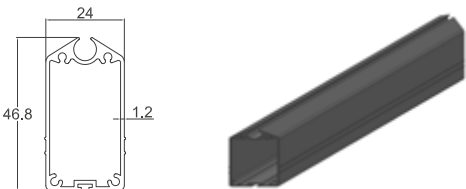
2 Main Profile



3 Side Channel



4 Lower Puller Profile



Transparent Sun Store Blind



* All dimensions shown above are in millimeters.

Manufacturer of **Shading Systems**
for Outdoor Spaces

Address : Unit C,
Canalside North Business Park,
John Gilbert Way, Trafford Park,
Manchester, M17 1UP
United Kingdom

Phone : +44 (0) 800 400 4549
E-mail : contact@gossoutdoor.co.uk